

# MKE 300 D

## Microphones | Back-Electret Condenser Microphone

Cat. No. 003171 D

### General Description

The MKE 300 D has been specially designed for use on DV camcorders. It is internally RF shielded and fits onto the camera's lighting mount. By virtue of its super-cardioid/lobar pick-up pattern, it picks up the sound coming from the direction the camera is pointing at. Colour: anthracite.

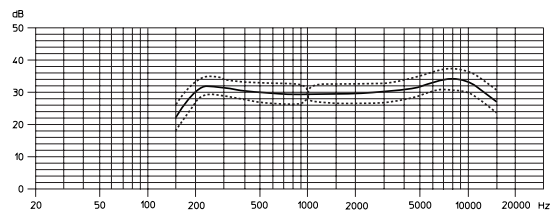
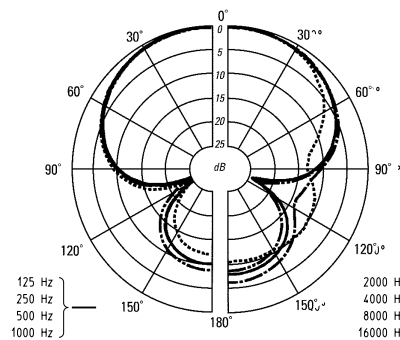


### Features

- High directivity
- Sprung-mounted capsule ensures effective suppression of handling noise
- Integral power supply using an LR 44 battery (button cell)
- On/off switch with battery status indication
- Lighting mount adaptor
- Internal "Faraday Cage" to minimise RF interference from DV cameras
- Delivery includes: 1 MKE 300 D with integral foam windshield and connection cable, 1 protection case

### Technical Data

Pick-up pattern .....	super-cardioid/lobar
Frequency response .....	150 – 17,000 Hz ± 3 dB
Sensitivity (free field, no load, 1 kHz) .....	16 mV/Pa ± 2.5 dB
Nominal impedance .....	200 Ω
Min. terminating impedance .....	2.7 kΩ
Equivalent noise level	
A-weighted (DIN IEC 651) .....	18 dB
CCIR-weighted (CCIR 468-3) .....	28 dB
Max. SPL (1 kHz) .....	116 dB (THD = 1 %)
Power supply .....	1.5 V battery
Battery life .....	200 h
Connector .....	3.5 mm Ø mono jack
Cable .....	helical cable
Dimensions .....	230 x 65 x 50 mm
Weight .....	approx. 60 g



### Profile

Super-cardioid/lobar directional microphone, frequency response 150 – 17,000 Hz ± 3 dB, sensitivity (free field, no load) 16 mV/Pa ± 2.5 dB at 1 kHz, nominal impedance 200 Ω, min. terminating impedance 2.7 kΩ, max. SPL 116 dB at 1 kHz (THD = 1 %), power supply 1.5 V battery, battery life 200 h, 3.5 mm Ø mono jack plug, helical cable, dimensions 230 x 65 x 50 mm, weight approx. 60 g. (This is a UK modified product)