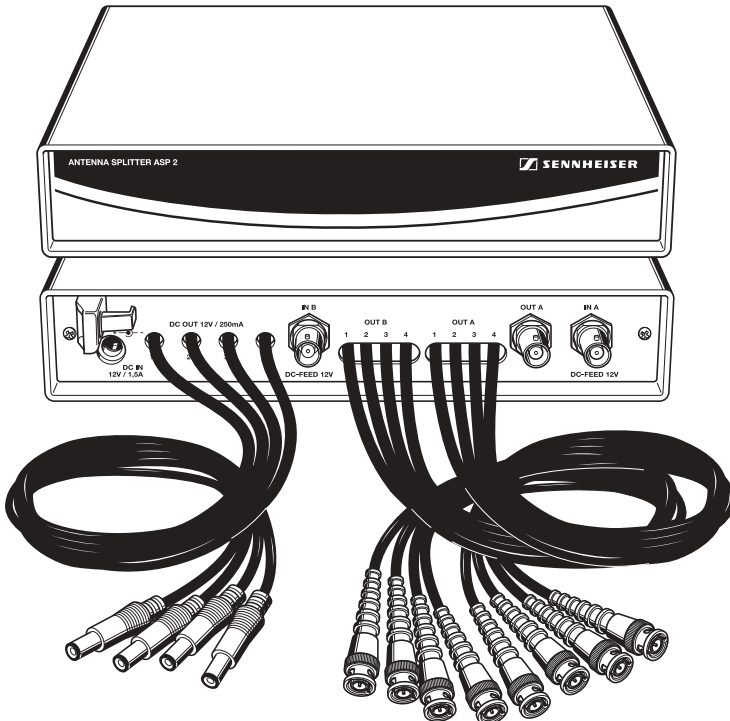


Antenna Splitter 1:4 ASP 2

Instructions for use



Brief description

The ASP 2 passive RF antenna splitter has been designed for routing antenna signals to several receivers in a multi-channel system, i.e. up to four diversity receivers are supplied with the signals of only two antennas. The antenna splitter incorporates DC distribution for powering up to four receivers in addition to two antenna boosters via a single mains unit. By linking two ASP 2 antenna splitters, an 8-channel system can be operated with only two antennas.

By using the GA 2 rack adapter, two antenna splitters or one antenna splitter and one rack-mount receiver (e.g. EM 100 G2, EM 300 G2 or EM 500 G2) can be mounted into a 19" rack.

Areas of application:

- Small to medium RF installations (fixed or mobile)
- Permanent installations in small theaters, conference centers and similar venues

Delivery includes

- 1 ASP 2 antenna splitter
- 1 set of plastic feet
- Instructions for use

Safety instructions

Caution!



Never open the unit! If units are opened by you in breach of this instruction, the warranty becomes null and void.

Attention!



Make sure that the air vents of the unit are not covered or blocked! Keep the unit away from central heating radiators and electric heaters!

Caution!



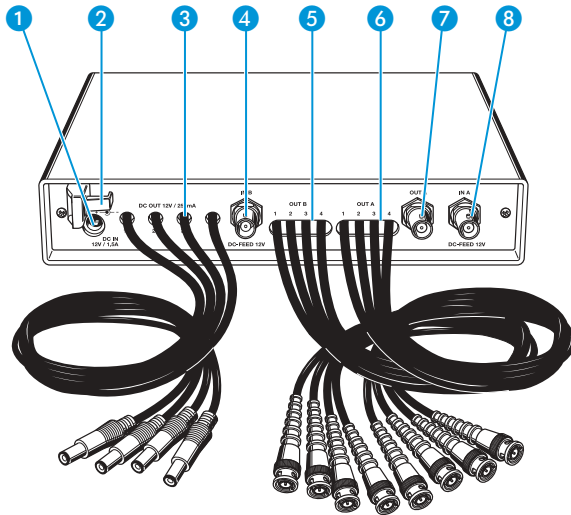
Set up the unit on an even surface or mount it into a rack! Lay the cables in such a way that no-one can stumble over them!

Attention!



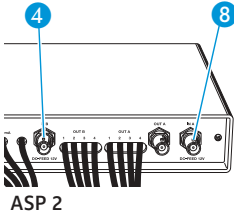
Keep liquids and small parts which conduct electricity away from the unit! Use a slightly damp cloth for cleaning the unit. Do not use any solvents or cleansing agents!

Operating controls



- 1 DC input (DC IN) for mains unit
- 2 Cable grip for power supply DC cable
- 3 Four DC outputs (DC OUT) for powering up to four receivers
- 4 Antenna input B (IN B, DC-FEED 12 V), BNC socket
- 5 Four antenna outputs (OUT B), B leg
- 6 Four antenna outputs (OUT A), A leg
- 7 RF output A (link to antenna input B 4 to make a 1-to-8 splitter), BNC socket
- 8 Antenna input A (IN A, DC-FEED 12 V), BNC socket

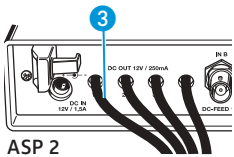
Connecting the antennas



- ▶ You can connect the following antenna types to the antenna inputs 4 and 8:
 - two A 1031-U or A 2003-U passive antennas or
 - two A 12 active antennas or
 - a combination of passive antenna (A 1031-U or A 2003-U) and antenna booster (AB 2).

Connecting the receivers

You can connect up to four rack-mount receivers (e.g. EM 100 G2, EM 300 G2 or EM 500 G2) to the ASP 2. The splitter incorporates DC distribution for powering the receivers.

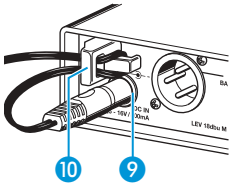


- ▶ Pass the cables coming from the antenna splitter's DC outputs 3 through the cable grips 10 at the rear of the receivers.

- ▶ Insert the hollow jack plugs into the sockets 9 of the receivers.

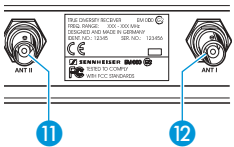
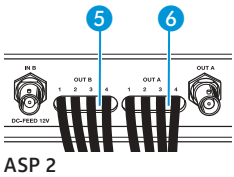
- ▶ Connect the BNC cables 5 and 6 of the antenna splitter to the receivers as follows:

- Antenna outputs (OUT A) 6 to antenna inputs (ANT I) 12
- Antenna outputs (OUT B) 5 to antenna inputs (ANT II) 11



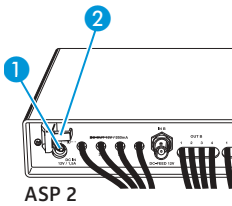
Note!

We recommend protecting unused RF outputs with a 50 Ω terminator in order to keep to the specified distribution attenuation.



Connecting the mains unit

The NT 1 mains unit can power up to four receivers. The DC power is also available at the antenna inputs for powering two optional antenna boosters.



- ▶ Pass the cable through the cable grip ②.
- ▶ Insert the DC connector on the power supply cable into the DC input ①.

Note:

The antenna splitter has no power switch.

If problems occur...

Error checklist

Problem	Possible cause	Possible solution
Receivers cannot be switched on	Receivers are not powered	Check the connections of the mains unit or the DC connections
Disturbed reception or no reception	Transmitting antennas are not within the range of the receiving antennas	Reduce the distance between transmitter and receiving antennas
	Transmitters or receivers are not switched on	Switch the transmitters or receivers on
	Antennas are not connected correctly	Check the antenna connections
	Connecting cables are defective	Replace the connecting cables
	Too high cable attenuation due to too long antenna cables or wrong type of antenna cable	Only use the recommended antenna cables (see "Accessories" on page 21) or use shorter antenna cables
	Transmitters and receivers are not on the same frequency	See operating manual of the transmitter or receiver

If problems occur that are not listed above or if the problems cannot be solved with the proposed solutions, please contact your local Sennheiser agent for assistance.

Specifications

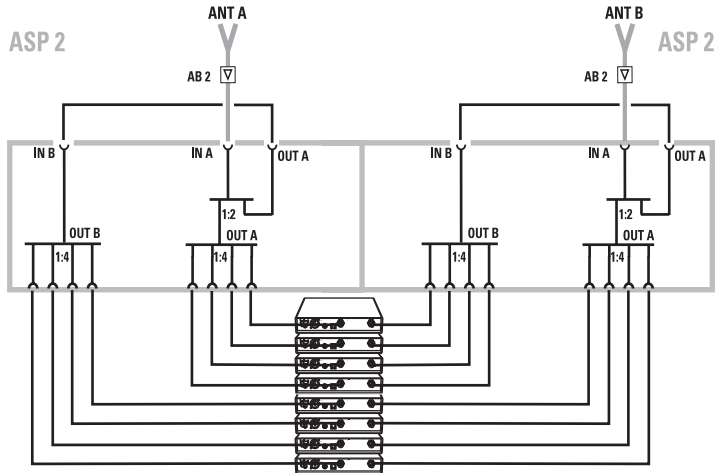
Antenna splitter	2 x 1:4 or 1 x 1:8, passive
Frequency range	500 to 870 MHz
Distribution attenuation	approx. 10 dB IN B/OUT B (4 x) approx. 14 dB IN A/OUT A (4 x) approx. 6 dB IN A/OUT A
Dimensions	approx. 212 x 145 x 38 mm
Weight	approx. 700 g
Voltage range	12 V DC nominal, max. 16 V DC

Accessories

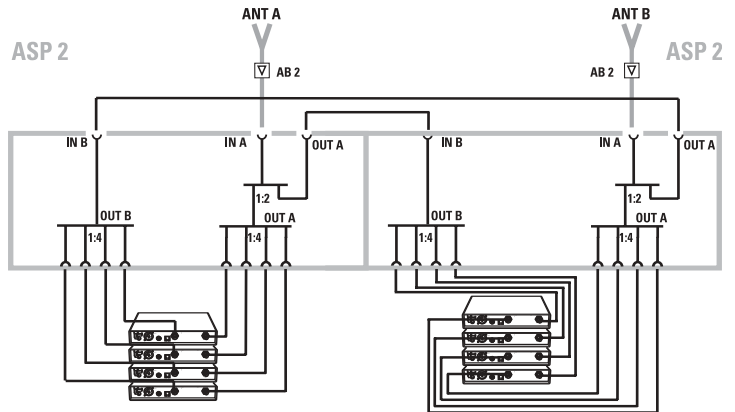
- NT 1** Mains unit for powering up to four receivers and two antenna boosters, European version
- NT 1-120** Mains unit for powering up to four receivers and two antenna boosters, 120 V version
- NT 1-UK** Mains unit for powering up to four receivers and two antenna boosters, UK version
- GZL 1019-A1** BNC-BNC coaxial cable, length 1 m
- GZL 1019-A5** BNC-BNC coaxial cable, length 5 m
- GZL 1019-A10** BNC-BNC coaxial cable, length 10 m
- A 1031-U** Passive UHF antenna
 - AB 2** Antenna booster
 - GA 2** 19" rack adapter
 - AM 2** Antenna mount for mounting antennas to the front of the GA 2
- A 2003-UHF** UHF directional antenna
 - A 12** Active UHF directional antenna
 - BNC terminator (50 Ω)
 - Voltage isolation adapter

Application example

Two ASP 2 antenna splitters can be linked to make a 1-to-8 diversity splitter.



Connections for an 8-channel system



Linking two 4-channel systems

ENGLISH

The guarantee period for this Sennheiser product is 24 months from the date of purchase. Excluded are accessory items, rechargeable or disposable batteries that are delivered with the product; due to their characteristics these products have a shorter service life that is principally dependent on the individual frequency of use.

The guarantee period starts from the date of original purchase. For this reason, we recommend that the sales receipt be retained as proof of purchase. Without this proof (which is checked by the responsible Sennheiser service partner) you will not be reimbursed for any repairs that are carried out.

Depending on our choice, guarantee service comprises, free of charge, the removal of material and manufacturing defects through repair or replacement of either individual parts or the entire device. Inappropriate usage (e.g. operating faults, mechanical damages, incorrect operating voltage), wear and tear, force majeure and defects which were known at the time of purchase are excluded from guarantee claims. The guarantee is void if the product is manipulated by non-authorised persons or repair stations.

In the case of a claim under the terms of this guarantee, send the device, including accessories and sales receipt, to the responsible service partner. To minimise the risk of transport damage, we recommend that the original packaging is used. Your legal rights against the seller, resulting from the contract of sale, are not affected by this guarantee.

The guarantee can be claimed in all countries outside the U.S. provided that no national law limits our terms of guarantee.



Konformitätserklärung

Sennheiser electronic GmbH & Co. KG erklären, dass dieses Gerät die anwendbaren CE-Normen und Vorschriften erfüllt.

Approval

Sennheiser electronic GmbH & Co. KG declare that this device is in compliance with the applicable CE standards and regulations.

Certification

Sennheiser electronic GmbH & Co. KG déclarons que cet appareil est en conformité avec les normes CE.

Certificazione

Sennheiser electronic GmbH & Co. KG dichiara che questo apparecchio risponde alle normative e alle prescrizioni CE applicabili.

Autorizacion

Sennheiser electronic GmbH & Co. KG declara que este aparato cumple las normas y directrices de la CE aplicables.

Vergunning

Sennheiser electronic GmbH & Co. KG verklaren, dat dit toestel voldoet aan de toepasselijke CE-normen en voorschriften.

Diese Service-Nummer gilt nur für Deutschland



K.I.S.S.

Kunden-Information-System-Sennheiser

0180 / 5221 539

0,12 € je Minute

Montag -Freitag: 8.00 Uhr - 18.00 Uhr



Sennheiser electronic GmbH & Co. KG
30900 Wedemark, Germany
Phone: +49 (5130) 600 0
Fax: +49 (5130) 600 300
www.sennheiser.com