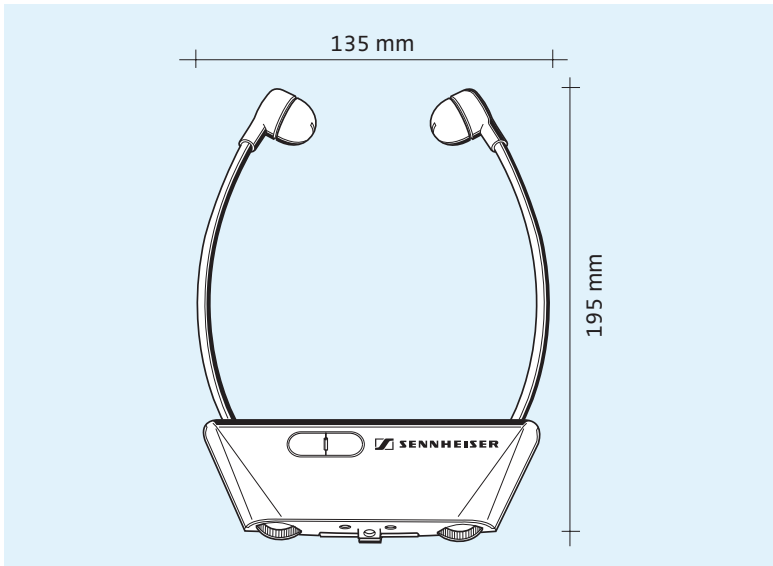
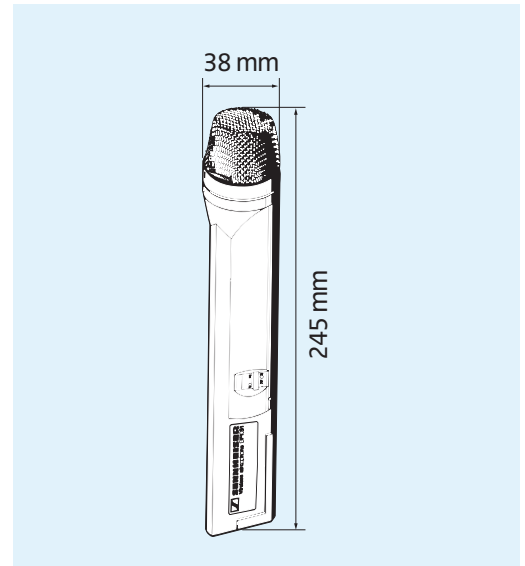


SKM 1030/HDE 1030

Conference and Information Systems | 1030 Tour-guide System



HDE 1030 dimensions



SKM 1030 dimensions

Accessories for the hand-held transmitter

■ SZU 1032 lavalier clip	Cat. No. 003744
■ STH 1051 stand mount	Cat. No. 003646
■ MZW 1032 foam windshield	Cat. No. 003745
■ MZW 1032 PRO velourised foam windshield	Cat. No. 003746
■ BA 1032 accupack	Cat. No. 003796
■ L 1032 charger	Cat. No. 003729
■ Plug-in mains unit for charger	
NT 1032 European version	Cat. No. 003747
NT 1032-120 USA version	Cat. No. 003748
NT 1032-UKUK version	Cat. No. 003749

Accessories for stetho-neckset receivers

■ BA 90 spare accupack	Cat. No. 003261
■ KEN 1030 colour-coded identification markers	Cat. No. 053008
■ Replacement ear-cushions, black	Cat. No. 037080
■ ditto, transparent	Cat. No. 040949
■ Charger for one BA 90	
L 90 European version	Cat. No. 003362
L 90-120 USA version	Cat. No. 003396
L 90-UK UK version	(available from Sennheiser UK)
■ L 92-10 charging unit for 10 BA 90 (w/o PSU)	Cat. No. 003355
■ L 92-20 charging unit for 20 BA 90 (w/o PSU)	Cat. No. 003356
■ L 1030-10 charging unit for 10 receivers (w/o PSU)	Cat. No. 004024
■ KK 1030 cable for connecting 2 charging units (NT 92 powers two units, NT 2013 powers 5 units)	Cat. No. 004125
■ EZL 1030-20L charging case with 2 charging units for 20 receivers (w/o PSU)	Cat. No. 003877
■ PSU for up to 2 charging units	
NT 92 European version	Cat. No. 003357
NT 92-120 USA version	Cat. No. 003358
NT 92-UK UK version	Cat. No. 003359
■ PSU for up to 5 charging units	
NT 2013 European version	Cat. No. 003433
NT 2013-120 USA version	Cat. No. 003434
NG 2013-UK UK version	Cat. No. 054332